



Allied Bolt

CATV Drop Wire Clamp

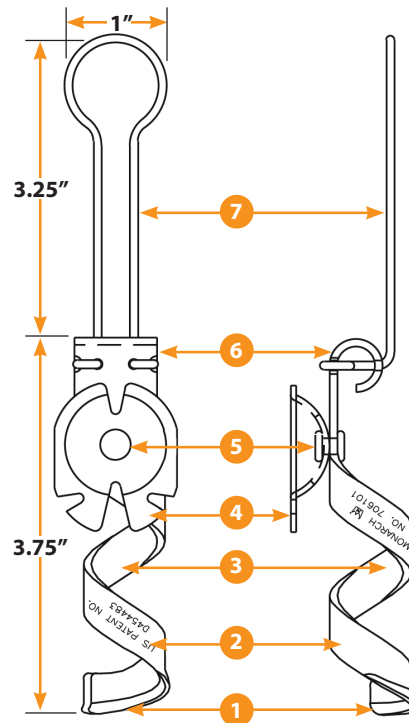


Features

- Beveled end on body prevents abrasion on the cable jacket
- Black finish on the CATV Drop Wire Clamp does not visually contrast with aerial drop cables to produce a more visually appealing install
- The inner wall of the helix is beveled to avoid pinching or rubbing against the cable jacket
- Retaining washer is used to securely tie off messenger support wire without creating any sharp bends or kinks
- For added strength, a solid rivet is used to attach the retaining washer to the Drop Clamp
- Large radial curve on working end of clamp relieves strain on messenger support wire
- Bail wire arms retain messenger support wire on radial curve
- Clamp is tested to withstand 500 Lb vertical load. Pull tests show drop wire will break before CATV Drop Wire Clamp will deform

Application

The CATV Drop Wire Clamp serves as a terminating point for the messenger support wire when installing a coaxial cable drop. A drop, utilizing a Drop Clamp, experiences a reduced working load on the support wire as compared to drops in which the support wire is directly tied off to a house attachment or a Span Clamp. This reduced working load is achieved by preventing sharp bends to the support wires.



Placement

The CATV Drop Wire Clamp accommodates messengered coaxial drop cables ranging in size from RG59 to RG11. The Drop Clamp is suitable for any drop cable up to ½" in diameter. The Drop Clamp accepts support wires up to ⅛" in diameter.

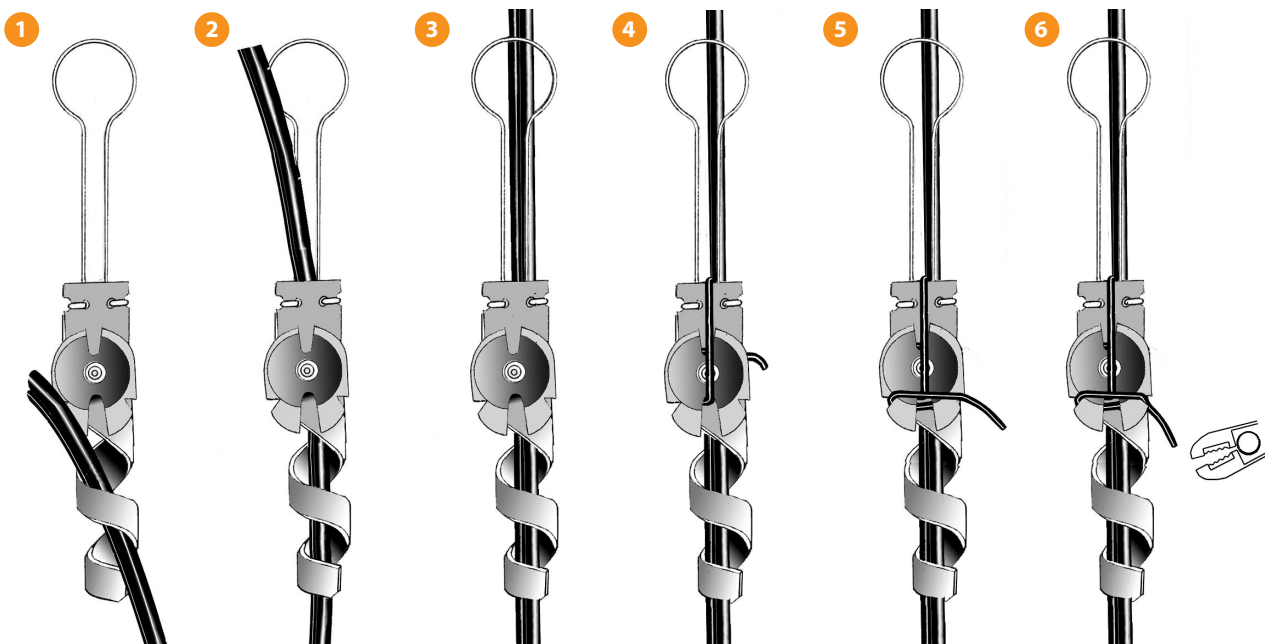
The bail of the Drop Clamp is designed to accept P Hooks and other house attachments, and any span clamp suspending the service drop from the strand.

Material Specifications

- Clamp body is stamped from AISI 1018 Steel, making the clamp stronger than competing drop clamps formed from soft Aluminum.
- Bail wire is formed from corrosion resistant 430 Stainless Steel. The bail is malleable to mold and to fit over different sized attachments without losing strength.
- Clamp and bail are powder coated with a black finish that does not chip and is highly corrosion resistant. In tests, the Allied Bolt CATV Drop Wire Clamp withstood 750 hours of salt spray (ASTM A117) without exhibiting red rust.

Instructions

1. Insert drop cable into first spiral of helix.
2. Screw clamp around drop wire until wire is inside clamp.
3. Drop wire is fully inside clamp.
4. Strip messenger support wire from drop cable. Wrap back over abutment and through two slots of retaining washer.
5. Wrap messenger support wire completely around washer once and pull taut through first "V" slot.
6. Pull messenger support wire taut through second "V" slot. Cut off excess support wire.



CATV Drop Wire Clamp

Ordering Information

ARRIS #	Mfg #	Description	Std Pkg	Carton Qty
706101	2100	CATV Drop Wire Clamp	2	50

Accessories

ARRIS #	Mfg #	Description	Std Pkg	Carton Qty
209716	9080	Span Clamp with Bail Washer	25	100
209033	4042	Q Span Clamp	25	100
209715	9082	House Hook with Bail Washer	200	200
209074	921	P House Hook 3¾"	200	200
209616	922	P House Hook 4½"	200	200
209034	905	S Clips for Messengered Coaxial Cable	100	100

Manufactured in the United States.

The capabilities, system requirements and/or compatibility with third-party products described herein are subject to change without notice. ARRIS, the ARRIS logo, Auspice®, C3™, C4®, C4c™, Cadant®, C-COR®, CHP Max®, ConvergeMedia™, Cornerstone®, CXM™, D5™, Digicon®, Flex Max®, Keystone™, MONARCH®, n5™, nABLE™, nVision®, OpsLogic®, OpsLogic® Service Visibility Portal™, PLEXIS®, PowerSense™, Regal®, ServAssure™, Service Visibility Portal™, TeleWire Supply®, TLX®, Touchstone®, VoiceAssure™, VSM™, and WorkAssure™ are all trademarks of ARRIS Group, Inc. Other trademarks and trade names may be used in this document to refer to either the entities claiming the marks and the names of their products. ARRIS disclaims proprietary interest in the marks and names of others. © Copyright 2009 ARRIS Group, Inc. All rights reserved. Reproduction in any manner whatsoever without the express written permission of ARRIS Group, Inc. is strictly forbidden. For more information, contact ARRIS.

